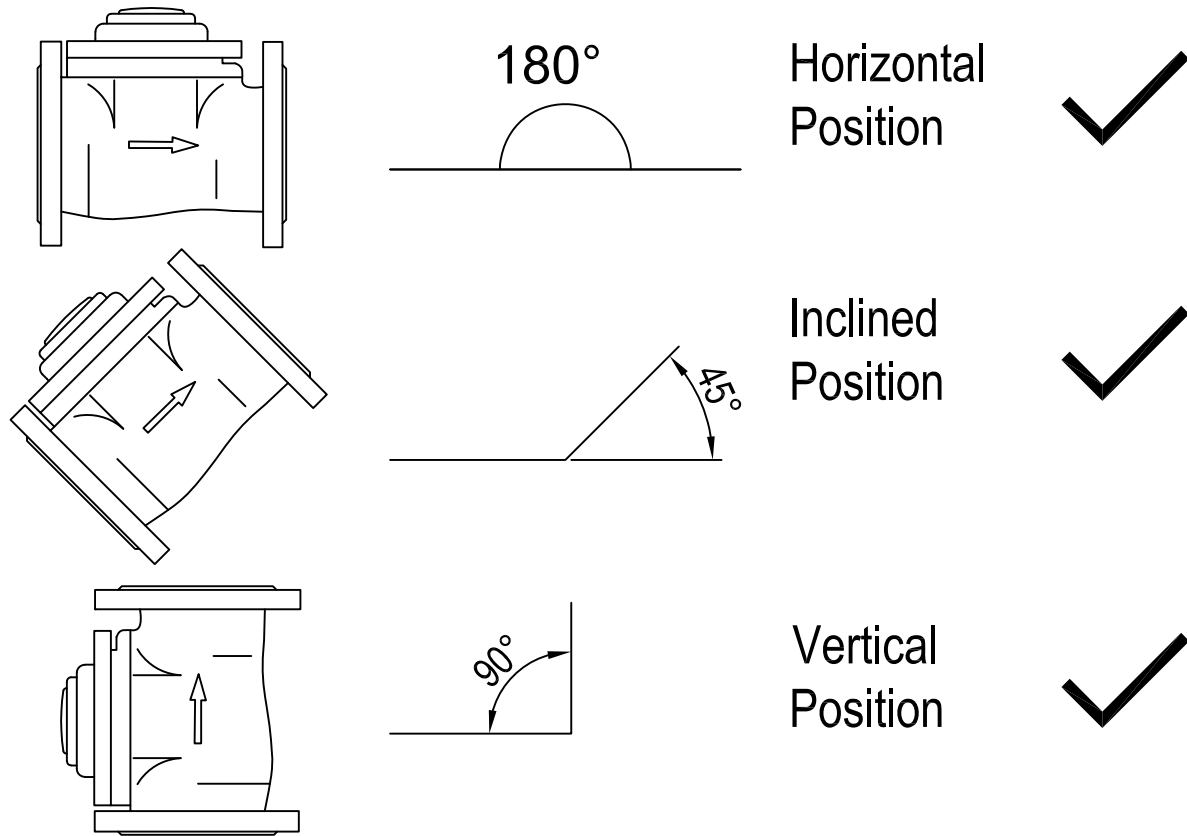


# Woltman Water Meter Installation Requirement



## **Installation Requirements**

1. The meter should be installed in horizontal position with the direction of the flow as indicated by the arrow cast in the meter body with the register face upwards.
2. Pipeline must be flushed before installation.
3. The meter should be constantly full of water during operation.

## **Installation Advice:**

Install check valve to prevent backflow of water from the back of the meter.

Install a filter to prevent foreign objects from entering the interior and damaging the water meter.

